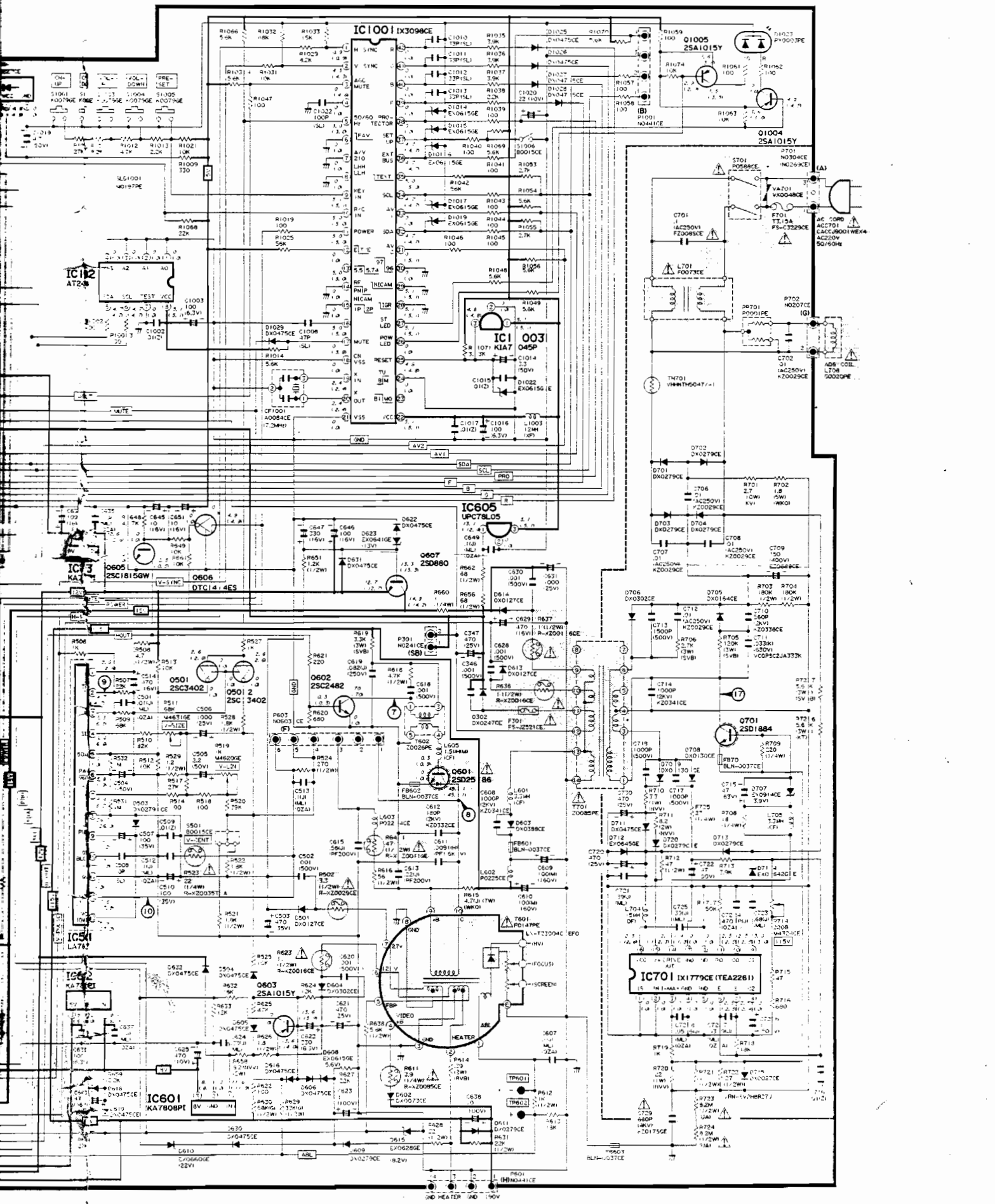
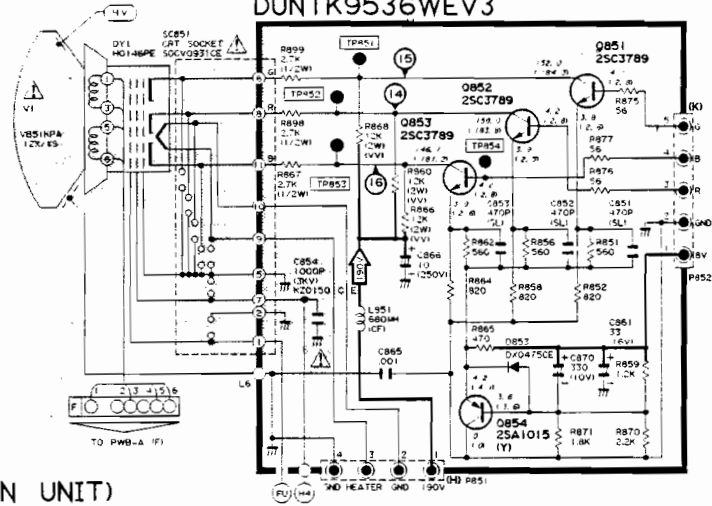


Unit

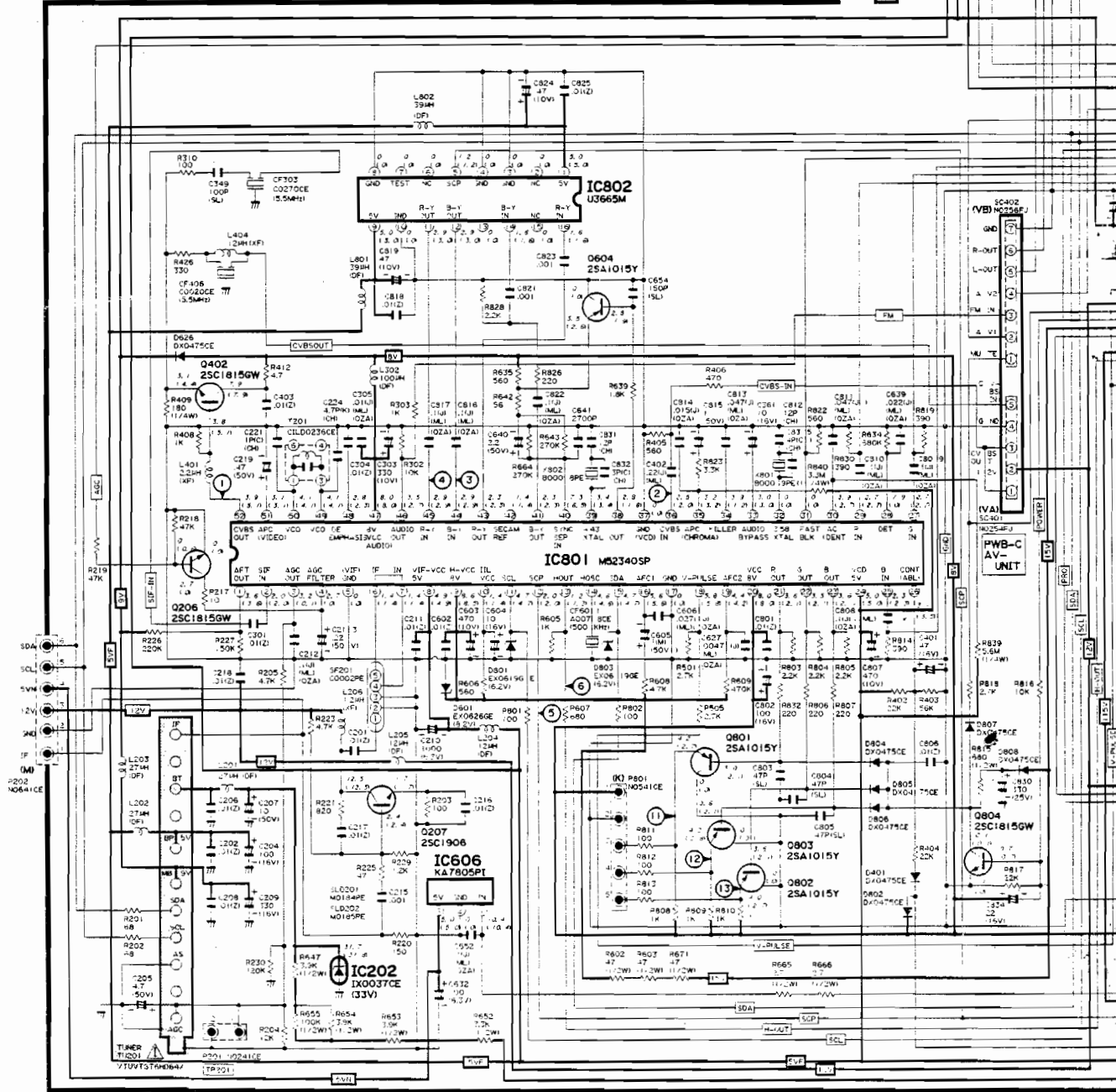


MODEL 51R500 SCHEMATIC DIAGRAM: MAIN and CRT Uni

PWB-B (CRT UNIT)
DUNTK9536WEV3

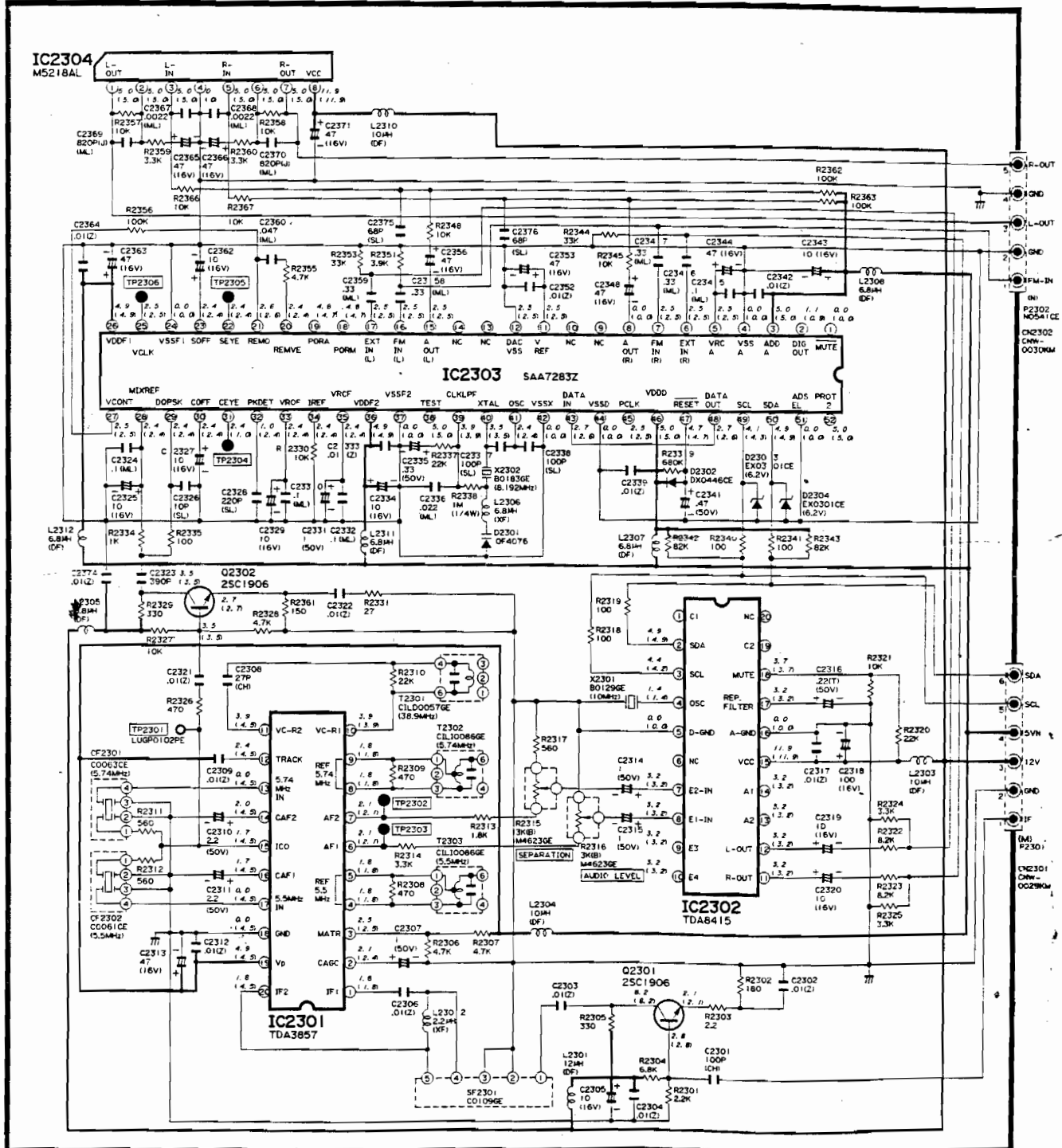


PWB-A (MAIN UNIT)
DUNTK9535WEV3



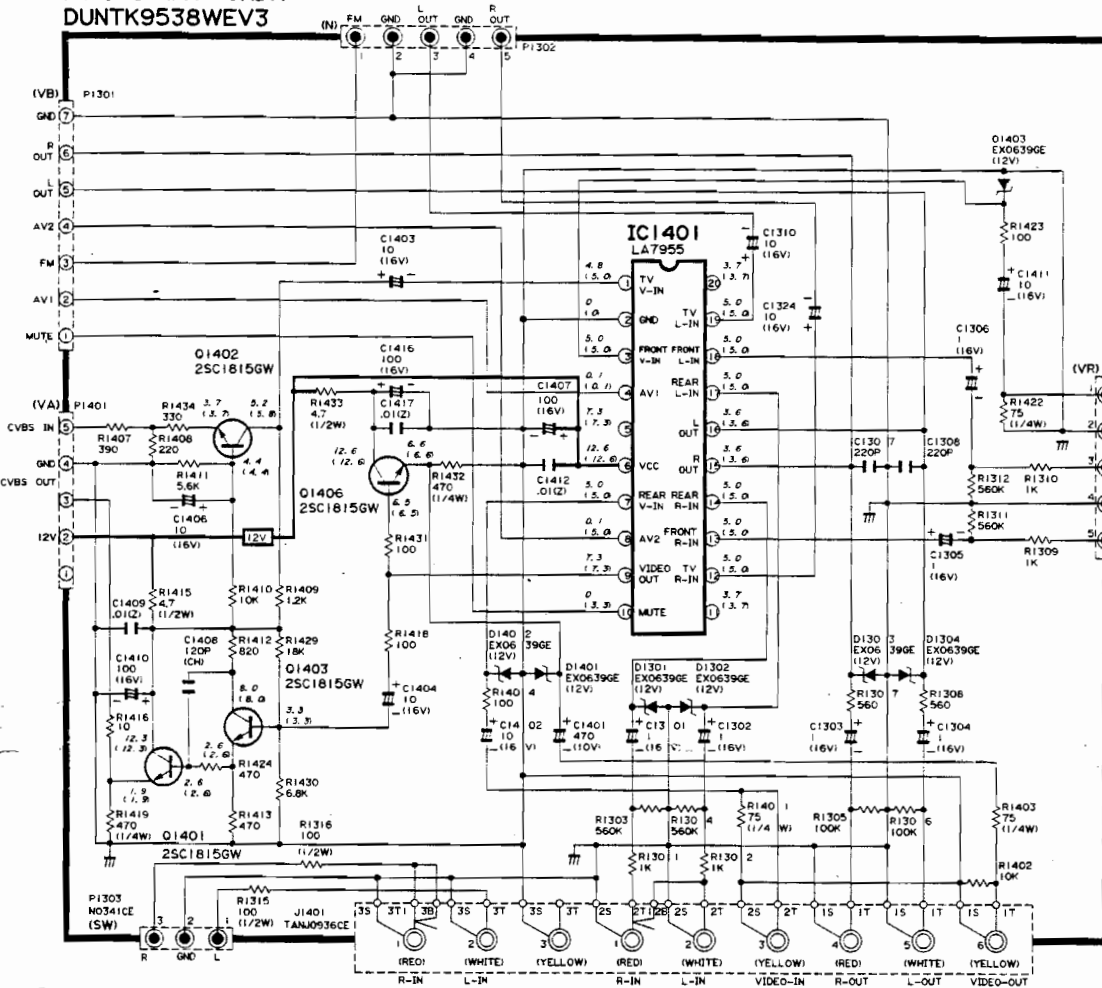
MODEL 51R500 SCHEMATIC DIAGRAM: MPX, AV, SOUND OL

PWB-F (MPX-UNIT)
DUNT8805WEV9

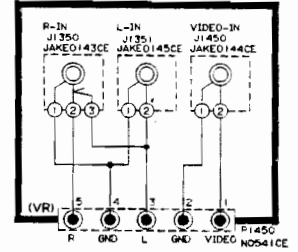


NO OUTPUT and FRONT AV Unit

PWB-C (AV UNIT)
DUNTK9538WEV3



PWB-E (FRONT-AV UNIT)
DUNTK9539WEV3



PWB-D (S-OUT UNIT)
DUNTK9537WEV3

